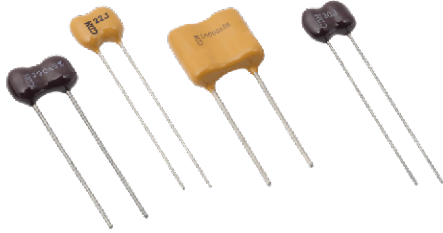


# Type CD16 & CDV16 Snubber and RF Application, Mica Capacitors

## Higher dV/dt Capability and Flatter Insertion Loss



Ideal for snubber and RF applications, CDV16 mica capacitors now handle dV/dts up to 275,000 V/ $\mu$ s and they assure controlled, resonance-free performance through 1 GHz. CDV16/CD16 mica capacitors excel in both snubber applications and high-frequency applications like RF and CATV. Type CDV16's high pulse current capability make them ideal for pulse and snubber applications. CDV16 capacitors withstand an unlimited number of pulses with a dV/dt of 275,000 V/ $\mu$ s. This is a 20% increase in dV/dt capability when compared to our CDV19 mica capacitors and CDV16's are smaller too. CDV16 capacitors handle higher peak currents — up to 825 amps. They also handle high continuous RMS current at 5 MHz and up to 30 MHz. For example, a 3000 pF CDV16 capacitor handles 6.2 A rms continuously at 13.56 MHz and it is 1/4 the cost of a comparable porcelain ceramic capacitor. In addition to being great for snubbers, CDV16 is a fit for your RF applications. Their compact size and closer lead spacing improves insertion loss performance — insertion loss data is flat within  $\pm 0.2$  dB, typically to beyond a gigahertz.

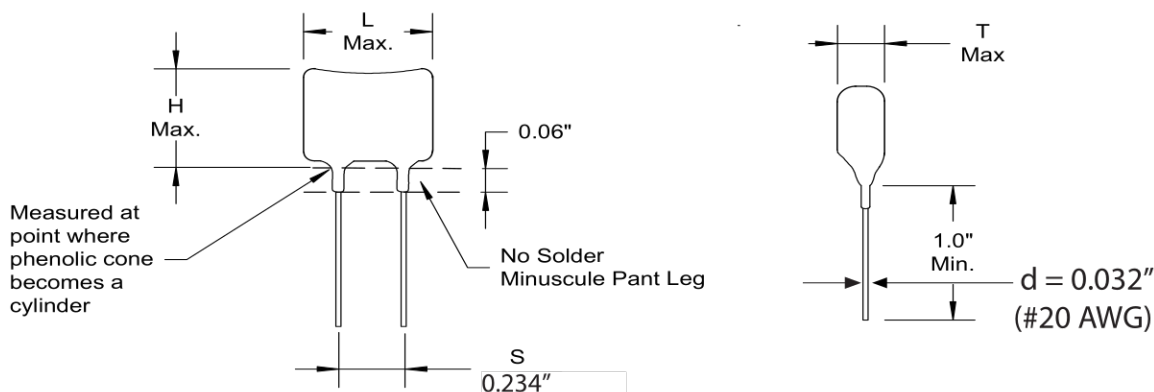
### Highlights

- Handles up to 9.0 amps rms continuous current
- Very low ESR from 10 to 100 MHz
- Low, notch-free impedance to 1GHz
- Stable: no capacitance change with (V), (t), and (f)
- Very high Q at UHF/VHF frequencies
- Tape and reeling available
- dV/dt capability up to 275,000 V/ $\mu$ s
- 1,500 amps peak current capability

[Click here to see ordering information](#)

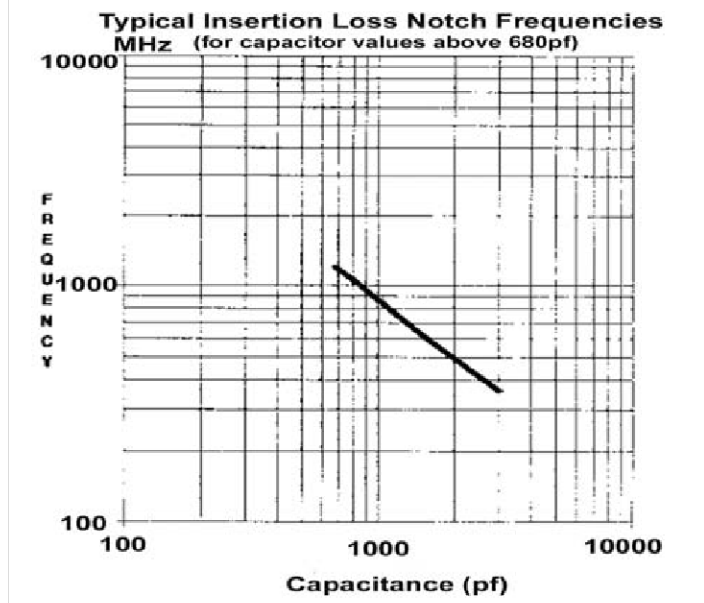
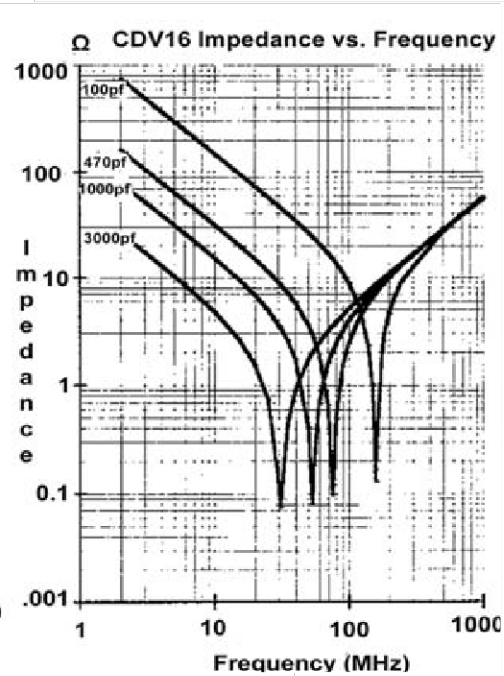
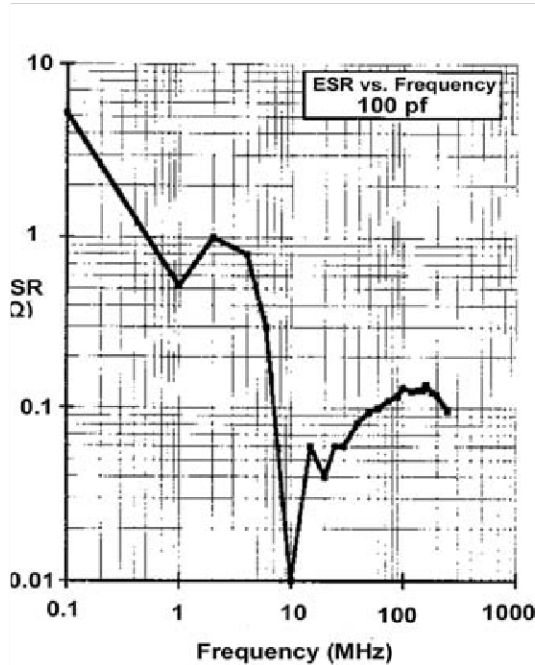
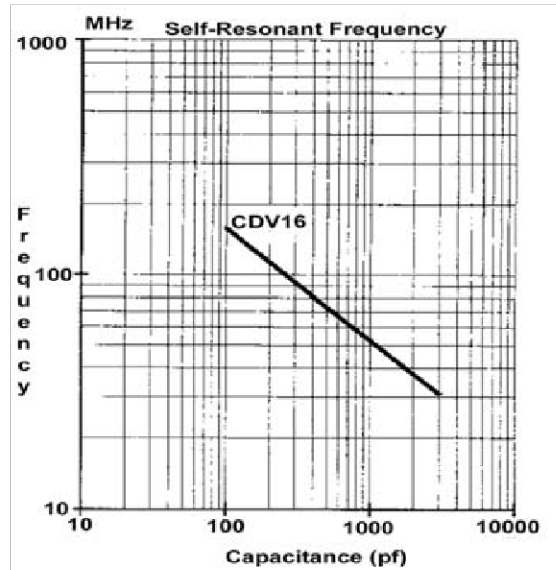
### Specifications

|  |   |
|--|---|
| Capacitance Range                      | 100 pF to 7,500 pF  |
| Capacitance Tolerance                  | $\pm 5\%$ (J) standard; $\pm 1\%$ (F) and $\pm 2\%$ , (G) available |
| Rated Voltage                          | 500 Vdc & 1,000 Vdc   |
| Operating Temperature Range            | -55 °C to +150 °C   |
| Dielectric Strength Test               | 200% of rated voltage   |
| <a href="#">Regulatory Information</a> |   |



# Type CD16 & CDV16 Snubber and RF Application, Mica Capacitors

## Typical Performance Curves



# Type CD16 & CDV16 Snubber and RF Application, Mica Capacitors

## Ratings

| Cap. (pF)                  | Catalog Part Number | L in (mm)  | H in (mm)  | T in (mm)  | Ipk Amps | Max Continuous Current @ 85°C, Amps |         |         |      |        |      |
|----------------------------|---------------------|------------|------------|------------|----------|-------------------------------------|---------|---------|------|--------|------|
|                            |                     |            |            |            |          | 100kHz                              | 250 kHz | 500 kHz | 1MHz | 2.5MHz | 5MHz |
| <b>500 Vdc (300 Vac)</b>   |                     |            |            |            |          |                                     |         |         |      |        |      |
| 100                        | CD16FD101J03F       | .43 (10.9) | .46 (11.7) | 0.15 (3.8) | 20       | 0.019                               | 0.047   | 0.09    | 0.19 | 0.47   | 0.78 |
| 120                        | CD16FD121J03F       | .43 (10.9) | .46 (11.7) | 0.15 (3.8) | 24       | 0.023                               | 0.057   | 0.11    | 0.23 | 0.57   | 0.86 |
| 150                        | CD16FD151J03F       | .43 (10.9) | .46 (11.7) | 0.15 (3.8) | 30       | 0.028                               | 0.071   | 0.14    | 0.28 | 0.71   | 0.96 |
| 180                        | CD16FD181J03F       | .43 (10.9) | .46 (11.7) | 0.15 (3.8) | 36       | 0.034                               | 0.085   | 0.17    | 0.34 | 0.85   | 1.1  |
| 220                        | CD16FD221J03F       | .43 (10.9) | .46 (11.7) | 0.15 (3.8) | 44       | 0.041                               | 0.10    | 0.21    | 0.41 | 1.0    | 1.2  |
| 270                        | CD16FD271J03F       | .45 (11.4) | .47 (11.9) | 0.16 (4.1) | 54       | 0.051                               | 0.13    | 0.25    | 0.51 | 1.3    | 1.3  |
| 330                        | CD16FD331J03F       | .45 (11.4) | .47 (11.9) | 0.16 (4.1) | 66       | 0.062                               | 0.16    | 0.31    | 0.62 | 1.5    | 1.5  |
| 390                        | CD16FD391J03F       | .45 (11.4) | .47 (11.9) | 0.16 (4.1) | 78       | 0.074                               | 0.18    | 0.37    | 0.74 | 1.6    | 1.6  |
| 470                        | CD16FD471J03F       | .45 (11.4) | .47 (11.9) | 0.16 (4.1) | 94       | 0.089                               | 0.22    | 0.44    | 0.89 | 1.8    | 1.8  |
| 560                        | CD16FD561J03F       | .46 (11.7) | .50 (12.7) | 0.18 (4.6) | 110      | 0.11                                | 0.26    | 0.53    | 1.1  | 2.0    | 2.0  |
| 680                        | CD16FD681J03F       | .46 (11.7) | .50 (12.7) | 0.18 (4.6) | 160      | 0.15                                | 0.39    | 0.77    | 1.5  | 2.5    | 2.5  |
| 820                        | CD16FD821J03F       | .46 (11.7) | .50 (12.7) | 0.18 (4.6) | 160      | 0.15                                | 0.39    | 0.77    | 1.5  | 2.5    | 2.5  |
| 1000                       | CD16FD102J03F       | .46 (11.7) | .50 (12.7) | 0.18 (4.6) | 200      | 0.19                                | 0.47    | 0.94    | 1.9  | 2.7    | 2.7  |
| 1200                       | CD16FD122J03F       | .46 (11.7) | .50 (12.7) | 0.18 (4.6) | 240      | 0.23                                | 0.57    | 1.1     | 2.3  | 3.0    | 3.0  |
| 1500                       | CD16FD152J03F       | .46 (11.7) | .50 (12.7) | 0.18 (4.6) | 300      | 0.28                                | 0.71    | 1.4     | 2.7  | 3.3    | 3.3  |
| 1800*                      | CD16FD182J03F       | .47 (11.9) | .52 (13.2) | 0.25 (6.4) | 360      | 0.34                                | 0.85    | 1.7     | 3.4  | 4.1    | 4.1  |
| 2200                       | CD16FD222J03F       | .47 (11.9) | .52 (13.2) | 0.25 (6.4) | 440      | 0.41                                | 1.0     | 2.1     | 4.1  | 4.5    | 4.5  |
| 2700                       | CD16FD272J03F       | .47 (11.9) | .52 (13.2) | 0.25 (6.4) | 540      | 0.51                                | 1.3     | 2.5     | 5.0  | 5.0    | 5.0  |
| 3000                       | CD16FD302J03F       | .47 (11.9) | .52 (13.2) | 0.25 (6.4) | 600      | 0.57                                | 1.4     | 2.8     | 5.2  | 5.2    | 5.2  |
| 3300                       | CD16FD332J03F       | .48 (12.2) | .53 (13.7) | 0.28 (7.1) | 600      | 0.57                                | 1.4     | 2.8     | 5.7  | 6.8    | 6.8  |
| 3600                       | CD16FD362J03F       | .48 (12.2) | .53 (13.7) | 0.28 (7.1) | 720      | 0.68                                | 1.7     | 3.4     | 6.8  | 7.1    | 7.1  |
| 3900                       | CD16FD392J03F       | .48 (12.2) | .54 (13.7) | 0.28 (7.1) | 780      | 0.74                                | 1.8     | 3.7     | 7.4  | 7.4    | 7.4  |
| 4300                       | CD16FD432J03F       | .48 (12.2) | .54 (13.7) | 0.28 (7.1) | 860      | 0.81                                | 2.0     | 4.0     | 7.0  | 7.8    | 7.8  |
| 4700                       | CD16FD472J03F       | .49 (12.5) | .56 (14.2) | 0.31 (7.9) | 940      | 0.89                                | 2.2     | 4.4     | 8.5  | 8.5    | 8.5  |
| 5600                       | CD16FD562J03F       | .49 (12.5) | .56 (14.2) | 0.33 (8.4) | 1100     | 1.1                                 | 2.6     | 5.3     | 9.0  | 9.0    | 9.0  |
| 6800                       | CD16FD682J03F       | .50 (12.7) | .57 (14.7) | 0.38 (9.7) | 1300     | 1.3                                 | 3.2     | 6.4     | 9.0  | 9.0    | 9.0  |
| 7500                       | CD16FD752J03F       | .50 (12.7) | .58 (14.7) | .40 (10.2) | 1500     | 1.4                                 | 3.5     | 7.1     | 9.0  | 9.0    | 9.0  |
| <b>1,000 Vdc (350 Vac)</b> |                     |            |            |            |          |                                     |         |         |      |        |      |
| 100                        | CDV16FF101J03F      | .43 (10.9) | .46 (11.7) | .15 (3.8)  | 23       | 0.022                               | 0.055   | 0.11    | 0.22 | 0.55   | 0.92 |
| 120                        | CDV16FF121J03F      | .43 (10.9) | .46 (11.7) | .15 (3.8)  | 27       | 0.026                               | 0.066   | 0.13    | 0.26 | 0.66   | 1    |
| 130                        | CDV16FF131J03F      | .43 (10.9) | .46 (11.7) | .15 (3.8)  | 29       | 0.029                               | 0.071   | 0.14    | 0.29 | 0.71   | 1.1  |
| 150                        | CDV16FF151J03F      | .43 (10.9) | .46 (11.7) | .15 (3.8)  | 34       | 0.033                               | 0.082   | 0.16    | 0.33 | 0.82   | 1.1  |
| 180                        | CDV16FF181J03F      | .43 (10.9) | .46 (11.7) | .15 (3.8)  | 41       | 0.04                                | 0.10    | 0.2     | 0.4  | 1.0    | 1.2  |
| 200                        | CDV16FF201J03F      | .43 (10.9) | .46 (11.7) | .15 (3.8)  | 45       | 0.044                               | 0.11    | 0.22    | 0.44 | 1.1    | 1.3  |
| 220                        | CDV16FF221J03F      | .43 (10.9) | .46 (11.7) | .15 (3.8)  | 50       | 0.048                               | 0.12    | 0.24    | 0.48 | 1.2    | 1.4  |
| 240                        | CDV16FF241J03F      | .43 (10.9) | .46 (11.7) | .15 (3.8)  | 54       | 0.053                               | 0.13    | 0.26    | 0.53 | 1.3    | 1.4  |
| 270                        | CDV16FF271J03F      | .45 (11.4) | .47 (11.9) | .16 (4.1)  | 61       | 0.059                               | 0.15    | 0.3     | 0.59 | 1.5    | 1.6  |
| 300                        | CDV16FF301J03F      | .45 (11.4) | .47 (11.9) | .16 (4.1)  | 68       | 0.066                               | 0.16    | 0.33    | 0.7  | 1.6    | 1.7  |
| 330                        | CDV16FF331J03F      | .45 (11.4) | .47 (11.9) | .16 (4.1)  | 74       | 0.073                               | 0.18    | 0.36    | 0.73 | 1.8    | 1.8  |
| 360                        | CDV16FF361J03F      | .45 (11.4) | .47 (11.9) | .16 (4.1)  | 81       | 0.079                               | 0.2     | 0.4     | 0.79 | 1.8    | 1.8  |
| 390                        | CDV16FF391J03F      | .45 (11.4) | .47 (11.9) | .16 (4.1)  | 88       | 0.086                               | 0.21    | 0.43    | 0.86 | 1.9    | 1.9  |
| 420                        | CDV16FF421J03F      | .45 (11.4) | .47 (11.9) | .16 (4.1)  | 95       | 0.092                               | 0.23    | 0.46    | 0.92 | 2      | 2.0  |
| 430                        | CDV16FF431J03F      | .45 (11.4) | .47 (11.9) | .16 (4.1)  | 97       | 0.095                               | 0.24    | 0.47    | 0.95 | 2.0    | 2.0  |
| 470                        | CDV16FF471J03F      | .45 (11.4) | .47 (11.9) | .16 (4.1)  | 106      | 0.1                                 | 0.26    | 0.52    | 1    | 2.1    | 2.1  |
| 500                        | CDV16FF501J03F      | .45 (11.4) | .47 (11.9) | .16 (4.1)  | 113      | 0.11                                | 0.27    | 0.55    | 1.1  | 2.2    | 2.2  |
| 510                        | CDV16FF511J03F      | .45 (11.4) | .47 (11.9) | .16 (4.1)  | 115      | 0.11                                | 0.28    | 0.56    | 1.1  | 2.2    | 2.2  |
| 560                        | CDV16FF561J03F      | .46 (11.7) | .50 (12.7) | .17 (4.4)  | 126      | 0.12                                | 0.31    | 0.62    | 1.2  | 2.4    | 2.4  |
| 620                        | CDV16FF621J03F      | .46 (11.7) | .50 (12.7) | .17 (4.4)  | 140      | 0.14                                | 0.34    | 0.68    | 1.4  | 2.5    | 2.5  |
| 680                        | CDV16FF681J03F      | .46 (11.7) | .50 (12.7) | .17 (4.4)  | 153      | 0.15                                | 0.37    | 0.75    | 1.5  | 2.7    | 2.7  |
| 750                        | CDV16FF751J03F      | .46 (11.7) | .50 (12.7) | .17 (4.4)  | 169      | 0.16                                | 0.41    | 0.82    | 1.6  | 2.8    | 2.8  |
| 820                        | CDV16FF821J03F      | .46 (11.7) | .50 (12.7) | .17 (4.4)  | 185      | 0.18                                | 0.45    | 0.9     | 1.8  | 2.9    | 2.9  |
| 910                        | CDV16FF911J03F      | .46 (11.7) | .50 (12.7) | .17 (4.4)  | 205      | 0.2                                 | 0.5     | 1       | 2    | 3.1    | 3.1  |
| 1000                       | CDV16FF102J03F      | .46 (11.7) | .50 (12.7) | .17 (4.4)  | 225      | 0.22                                | 0.55    | 1.1     | 2.2  | 3.2    | 3.2  |
| 1200                       | CDV16FF122J03F      | .46 (11.7) | .50 (12.7) | .17 (4.4)  | 270      | 0.26                                | 0.66    | 1.3     | 2.6  | 3.5    | 3.5  |
| 1300                       | CDV16FF132J03F      | .46 (11.7) | .50 (12.7) | .17 (4.4)  | 293      | 0.29                                | 0.71    | 1.4     | 2.9  | 3.7    | 3.7  |
| 1500                       | CDV16FF152J03F      | .46 (11.7) | .50 (12.7) | .18 (4.6)  | 338      | 0.33                                | 0.82    | 1.6     | 3.3  | 3.9    | 3.9  |
| 1800*                      | CDV16FF182J03F      | .47 (11.9) | .52 (13.2) | .25 (6.4)  | 495      | 0.4                                 | 0.99    | 2       | 4    | 4.8    | 4.8  |
| 2000                       | CDV16FF202J03F      | .47 (11.9) | .52 (13.2) | .25 (6.4)  | 605      | 0.48                                | 1.2     | 2.4     | 4.8  | 5.3    | 5.3  |
| 2200                       | CDV16FF222J03F      | .47 (11.9) | .52 (13.2) | .25 (6.4)  | 605      | 0.48                                | 1.2     | 2.4     | 4.8  | 5.3    | 5.3  |
| 2400                       | CDV16FF242J03F      | .47 (11.9) | .52 (13.2) | .25 (6.4)  | 660      | 0.53                                | 1.3     | 2.6     | 5.3  | 5.5    | 5.5  |
| 2700                       | CDV16FF272J03F      | .47 (11.9) | .52 (13.2) | .25 (6.4)  | 743      | 0.59                                | 1.5     | 3       | 5.8  | 5.8    | 5.8  |
| 3000                       | CDV16FF302J03F      | .47 (11.9) | .52 (13.2) | .25 (6.4)  | 825      | 0.66                                | 1.6     | 3.3     | 6.2  | 6.2    | 6.2  |

\* Best RF performances is = to or < this cap rating.

## Type CD16 & CDV16 Snubber and RF Application, Mica Capacitors

**Notice and Disclaimer:** All product drawings, descriptions, specifications, statements, information and data (collectively, the "Information") in this datasheet or other publication are subject to change. The customer is responsible for checking, confirming and verifying the extent to which the Information contained in this datasheet or other publication is applicable to an order at the time the order is placed. All Information given herein is believed to be accurate and reliable, but it is presented without any guarantee, warranty, representation or responsibility of any kind, expressed or implied. Statements of suitability for certain applications are based on the knowledge that the Cornell Dubilier company providing such statements ("Cornell Dubilier") has of operating conditions that such Cornell Dubilier company regards as typical for such applications, but are not intended to constitute any guarantee, warranty or representation regarding any such matter – and Cornell Dubilier specifically and expressly disclaims any guarantee, warranty or representation concerning the suitability for a specific customer application, use, storage, transportation, or operating environment. The Information is intended for use only by customers who have the requisite experience and capability to determine the correct products for their application. Any technical advice inferred from this Information or otherwise provided by Cornell Dubilier with reference to the use of any Cornell Dubilier products is given gratis (unless otherwise specified by Cornell Dubilier), and Cornell Dubilier assumes no obligation or liability for the advice given or results obtained. Although Cornell Dubilier strives to apply the most stringent quality and safety standards regarding the design and manufacturing of its products, in light of the current state of the art, isolated component failures may still occur. Accordingly, customer applications which require a high degree of reliability or safety should employ suitable designs or other safeguards (such as installation of protective circuitry or redundancies or other appropriate protective measures) in order to ensure that the failure of an electrical component does not result in a risk of personal injury or property damage. Although all product-related warnings, cautions and notes must be observed, the customer should not assume that all safety measures are indicated in such warnings, cautions and notes, or that other safety measures may not be required.