

# R53 (Miniature), THB Grade IIIB, Class X2, 310 VAC, 110°C (Automotive Grade)

## Overview

The R53 series is constructed of metallized polypropylene film encapsulated with self-extinguishing resin in a box of material that meets the requirements of UL 94 V-0. The R53 series is ideal for harsh environmental conditions and meets the demanding Automotive Electronics Council's AEC-Q200 qualification requirements.

## Applications

For worldwide use in electromagnetic interference (EMI) suppression in across-the-line applications that require X2 safety classification. Intended for use in situations in which capacitor failure would not result in exposure to electric shock. Typical applications include connection in series with the mains, capacitive power supplies and energy meters, with special emphasis in automotive applications for severe ambient conditions such as On Board Chargers.

## Benefits

- Approvals: ENEC, UL, cUL, CQC
- X2 CLASS (IEC 60384-14)
- THB Grade IIIB: 85°C, 85% RH, 1,000 hours at 310 VAC acc. to IEC 60384-14
- THB Grade IIIB: 85°C, 85% RH, 1,000 hours at 560 VDC acc. to IEC 60384-14
- Low Halogen Content according to JS709C
- Rated voltage: 310 VAC 50/60 Hz
- Recommended DC Voltage  $\leq$  630 VDC
- Capacitance range: 0.1 – 22  $\mu$ F
- Lead spacing: 15.0 – 37.5 mm
- Capacitance tolerance:  $\pm$ 20%,  $\pm$ 10%
- Climatic category 40/110/56, IEC 60068-1
- Tape & Reel in accordance with IEC 60286-2
- RoHS compliant and lead-free terminations
- Operating temperature range of -40°C to +110°C
- 100% screening factory test at 1,900 VDC
- Self healing properties
- Automotive (AEC-Q200) grade



## Part Number System

| R53                          | 3                   | I  | 3470  | 00                         | P0                   | M                              |
|------------------------------|---------------------|--|---|----------------------------|----------------------|--------------------------------|
| Series                       | Rated Voltage (VAC) | Lead Spacing (mm)                            | Capacitance Code (pF)   | Packaging                  | Internal Use         | Capacitance Tolerance          |
| X2, Metallized Polypropylene | 3 = 310             | I = 15.0<br>N = 22.5<br>R = 27.5<br>W = 37.5 | The last three digits represent significant figures. The first digit specifies number of zeros to be added. | See Ordering Options Table | P0<br>P1<br>P2<br>P3 | K = $\pm$ 10%<br>M = $\pm$ 20% |

Built Into Tomorrow

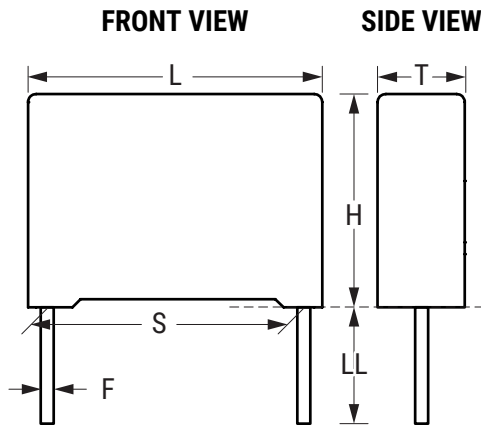
## Ordering Options Table

| Lead Spacing Nominal (mm)               | Type of Leads and Packaging                | Lead Length (mm)                           | Lead and Packaging Code |
|---|--|--|-------------------------|
| 15<br><br>22.5                          | <b>Standard Lead and Packaging Options</b> |  |                         |
|   | Bulk (Bag) – Short Leads                   | 4 +2/-0                                    | 00                      |
|   | Pizza Pack – Short Leads                   | 4 +2/-0                                    | BB                      |
|   | Ammo Pack                                  | $H_0 = 18.5 \pm 0.5$                       | DQ <sup>1</sup>         |
|   | <b>Other Lead and Packaging Options</b>    |  |                         |
|   | Tape & Reel (Large Reel)                   | $H_0 = 18.5 \pm 0.5$                       | CK                      |
|   | Tape & Reel (Standard Reel)                | $H_0 = 18.5 \pm 0.5$                       | GY <sup>1</sup>         |
|   | Bulk (Bag) <sup>2</sup> – Short Leads      | 2.7 +0.5/-0                                | JA                      |
|   | Bulk (Bag) <sup>2</sup> – Short Leads      | 3.5 +0.5/-0                                | JB                      |
|   | Bulk (Bag) <sup>2</sup> – Short Leads      | 4.0 +0.5/-0                                | JE                      |
|   | Bulk (Bag) <sup>2</sup> – Short Leads      | 3.2 +0.3/-0.2                              | JH                      |
|   | Bulk (Bag) – Long Leads                    | 18 ±1                                      | JM                      |
|   | Bulk (Bag) – Long Leads                    | 30 +5/-0                                   | 40                      |
| Bulk (Bag) – Long Leads                 | 25 +2/-1                                   | 50   |                         |
| 27.5                                    | <b>Standard Lead and Packaging Options</b> |  |                         |
|   | Bulk (Tray) – Short Leads                  | 4 +2/-0                                    | 00                      |
|   | Pizza Pack – Short Leads                   | 4 +2/-0                                    | BB                      |
|   | Tape & Reel (Large Reel)                   | $H_0 = 18.5 \pm 0.5$                       | CK <sup>1</sup>         |
|   | <b>Other Lead and Packaging Options</b>    |  |                         |
|   | Bulk (Tray) – Short Leads                  | 2.7 +0.5/-0                                | JA                      |
|   | Bulk (Tray) – Short Leads                  | 3.5 +0.5/-0                                | JB                      |
|   | Bulk (Tray) – Short Leads                  | 4.0 +0.5/-0                                | JE                      |
|   | Bulk (Tray) – Short Leads                  | 3.2 +0.3/-0.2                              | JH                      |
|   | Bulk (Tray) – Long Leads                   | 18 ±1                                      | JM                      |
|   | Bulk (Tray) – Long Leads                   | 30 +5/-0                                   | 40                      |
|   | Bulk (Tray) – Long Leads                   | 25 +2/-1                                   | 50                      |
|   | 37.5                                       | <b>Standard Lead and Packaging Options</b> |                         |
| Pizza Pack – Short Leads                |  | 4 +2/-0                                    | 00                      |
| <b>Other Lead and Packaging Options</b> |  |  |                         |
| Pizza Pack – Short Leads                |  | 2.7 +0.5/-0                                | JA                      |
| Pizza Pack – Short Leads                |  | 3.5 +0.5/-0                                | JB                      |
| Pizza Pack – Short Leads                |  | 4.0 +0.5/-0                                | JE                      |
| Pizza Pack – Short Leads                |  | 3.2 +0.3/-0.2                              | JH                      |
| Pizza Pack – Long Leads                 |  | 18 ±1                                      | JM                      |
| Pizza Pack – Long Leads                 |  | 30 +5/-0                                   | 40                      |
| Pizza Pack – Long Leads                 |  | 25 +2/-1                                   | 50                      |

<sup>1</sup> Not for all sizes, see "Packaging Quantities" table.

<sup>2</sup> For lead spacing 22.5 case sizes  $\geq 8.5 \times 17 \times 26.5$  the parts are packed in a Pizza box 335\*320\*34 mm

## Dimensions – Millimeters



| S       |           | T       |           | H       |           | L       |           | F       |           |
|---------|-----------|---------|-----------|---------|-----------|---------|-----------|---------|-----------|
| Nominal | Tolerance | Nominal | Tolerance | Nominal | Tolerance | Nominal | Tolerance | Nominal | Tolerance |
| 15.0    | ±0.4      | 5.0     | +0.3/-0.5 | 11.0    | +0.3/-0.5 | 18.0    | +0.5/-0.5 | 0.6     | ±0.05     |
| 15.0    | ±0.4      | 6.0     | +0.3/-0.5 | 12.0    | +0.3/-0.5 | 18.0    | +0.5/-0.5 | 0.6     | ±0.05     |
| 15.0    | ±0.4      | 7.5     | +0.3/-0.5 | 13.5    | +0.3/-0.5 | 18.0    | +0.5/-0.5 | 0.6     | ±0.05     |
| 15.0    | ±0.4      | 7.5     | +0.3/-0.5 | 18.5    | +0.3/-0.5 | 18.0    | +0.5/-0.5 | 0.8     | ±0.05     |
| 15.0    | ±0.4      | 8.5     | +0.3/-0.5 | 14.5    | +0.3/-0.5 | 18.0    | +0.5/-0.5 | 0.6     | ±0.05     |
| 15.0    | ±0.4      | 9.0     | +0.3/-0.5 | 12.5    | +0.3/-0.5 | 18.0    | +0.5/-0.5 | 0.6     | ±0.05     |
| 15.0    | ±0.4      | 10.0    | +0.3/-0.5 | 16.0    | +0.3/-0.5 | 18.0    | +0.5/-0.5 | 0.8     | ±0.05     |
| 15.0    | ±0.4      | 11.0    | +0.3/-0.5 | 19.0    | +0.3/-0.5 | 18.0    | +0.5/-0.5 | 0.8     | ±0.05     |
| 22.5    | ±0.4      | 7.0     | +0.3/-0.5 | 16.0    | +0.3/-0.5 | 26.5    | +0.5/-0.5 | 0.8     | ±0.05     |
| 22.5    | ±0.4      | 8.5     | +0.3/-0.5 | 17.0    | +0.3/-0.5 | 26.5    | +0.5/-0.5 | 0.8     | ±0.05     |
| 22.5    | ±0.4      | 10.0    | +0.3/-0.5 | 18.5    | +0.3/-0.5 | 26.5    | +0.5/-0.5 | 0.8     | ±0.05     |
| 22.5    | ±0.4      | 11.0    | +0.3/-0.5 | 20.0    | +0.3/-0.5 | 26.5    | +0.5/-0.5 | 0.8     | ±0.05     |
| 22.5    | ±0.4      | 13.0    | +0.3/-0.5 | 22.0    | +0.3/-0.5 | 26.5    | +0.5/-0.5 | 0.8     | ±0.05     |
| 27.5    | ±0.4      | 11.0    | +0.3/-0.7 | 20.0    | +0.3/-0.7 | 32.0    | +0.5/-0.7 | 0.8     | ±0.05     |
| 27.5    | ±0.4      | 13.0    | +0.3/-0.7 | 22.0    | +0.3/-0.7 | 32.0    | +0.5/-0.7 | 0.8     | ±0.05     |
| 27.5    | ±0.4      | 14.0    | +0.3/-0.7 | 28.0    | +0.3/-0.7 | 32.0    | +0.5/-0.7 | 0.8     | ±0.05     |
| 27.5    | ±0.4      | 16.0    | +0.3/-0.7 | 30.0    | +0.3/-0.7 | 32.0    | +0.5/-0.7 | 0.8     | ±0.05     |
| 27.5    | ±0.4      | 22.0    | +0.3/-0.7 | 37.0    | +0.3/-0.7 | 32.0    | +0.5/-0.7 | 0.8     | ±0.05     |
| 37.5    | ±0.4      | 20.0    | +0.3/-0.7 | 40.0    | +0.3/-0.7 | 42.0    | +0.5/-0.7 | 1.0     | ±0.05     |
| 37.5    | ±0.4      | 24.0    | +0.3/-0.7 | 44.0    | +0.3/-0.7 | 42.0    | +0.5/-0.7 | 1.0     | ±0.05     |
| 37.5    | ±0.4      | 30.0    | +0.3/-0.7 | 45.0    | +0.3/-0.7 | 42.0    | +0.5/-0.7 | 1.0     | ±0.05     |

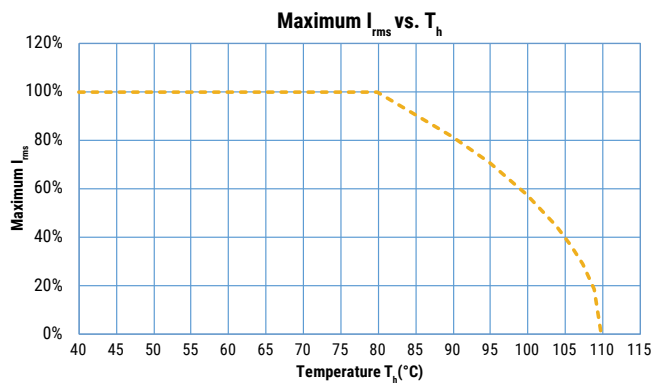
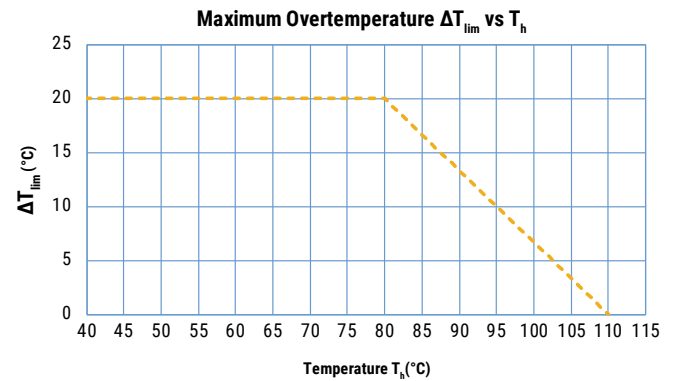
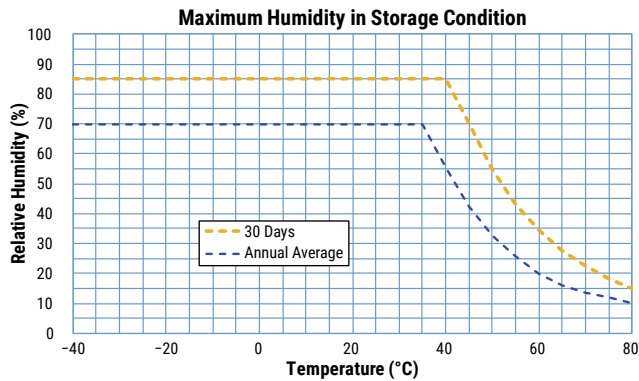
**Note: See Ordering Options Table for lead length (LL/H<sub>0</sub>) options.**

## Performance Characteristics

|                                    |   |                     |   |  |
|------------------------------------|---|---------------------|---|--|
| Dielectric                         | Polypropylene film  |                     |   |  |
| Plates                             | Metal layer deposited by evaporation under vacuum   |                     |   |  |
| Winding                            | Non-inductive type  |                     |   |  |
| Leads                              | Tinned wire   |                     |   |  |
| Protection                         | Plastic case, thermosetting resin filled. Box material is solvent resistant and flame retardant according to UL94.  |                     |   |  |
| Related Documents                  | IEC 60384-14, EN 60384-14   |                     |   |  |
| Rated Voltage $V_R$                | 310 VAC (50/60 Hz)  |                     |   |  |
| Recommended DC Voltage             | ≤ 630 VDC   |                     |   |  |
| Capacitance Range                  | 0.1 – 22 μF   |                     |   |  |
| Capacitance Values                 | E6 series (IEC 60063) measured at 1 kHz and +20 ±1°C  |                     |   |  |
| Capacitance Tolerance              | ±10%, ±20%  |                     |   |  |
| Temperature Range                  | -40°C to +110°C   |                     |   |  |
| Climatic Category                  | 40/110/56 IEC 60068-1   |                     |   |  |
| Storage Conditions                 | Storage time: ≤ 24 months from the date marked on the label package   |                     |   |  |
|                                    | Average relative humidity per year ≤ 70%  |                     |   |  |
|                                    | RH ≤ 85% for 30 days randomly distributed throughout the year   |                     |   |  |
|                                    | Dew is absent   |                     |   |  |
| Approvals                          | Temperature: -40 to 80°C (see "Maximum Humidity in Storage Conditions" graph below)   |                     |   |  |
|                                    | ENEC, UL, cUL, CQC  |                     |   |  |
| Dissipation Factor (tanδ) at 1 kHz | $C \leq 0.1 \mu\text{F}$  |                     | $C > 0.1\mu\text{F}$  |  |
|                                    | 0.3%  |                     | 0.2%  |  |
| Test Voltage Between Terminals     | The 100% screening factory test is carried out at 1,900 VDC.<br>The voltage level is selected to meet the requirements in applicable equipment standards.<br>All electrical characteristics are checked after the test. This test cannot be repeated, as there is a risk of damaging the capacitor. KEMET is not liable in such cases for any failures. |                     |   |  |
| Insulation Resistance              | Measured at +25°C ±5°C, according to IEC 60384-2  |                     |   |  |
|                                    | Minimum Values Between Terminals  |                     |   |  |
|                                    | Voltage Charge  | Voltage Charge Time | $C \leq 0.33 \mu\text{F}$   | $C > 0.33 \mu\text{F}$   |
|                                    | 100 VDC   | 1 minute            | $\geq 1 \cdot 10^5 \text{ M}\Omega$<br>( $\geq 5 \cdot 10^5 \text{ M}\Omega$ )* | $\geq 30,000 \text{ M}\Omega \cdot \mu\text{F}$<br>( $\geq 150,000 \text{ M}\Omega \cdot \mu\text{F}$ )* |

\* Typical value

## Performance Characteristics cont.

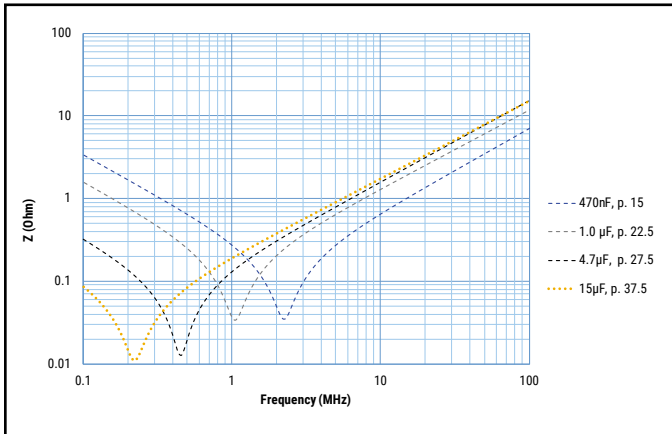


$T_h$  is the maximum ambient temperature surrounding the capacitor or hottest contact point (e.g. tracks), whichever is higher, in the worst operation conditions in °C.

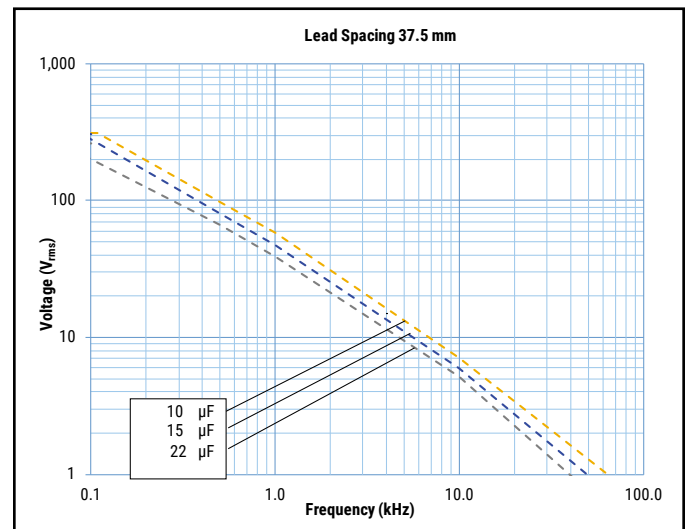
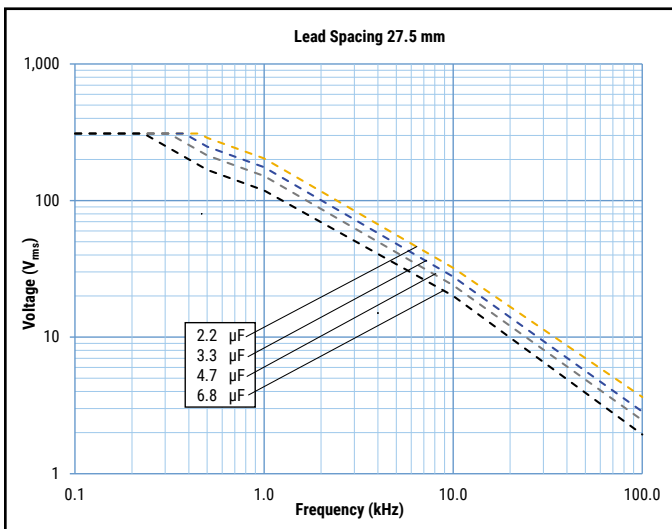
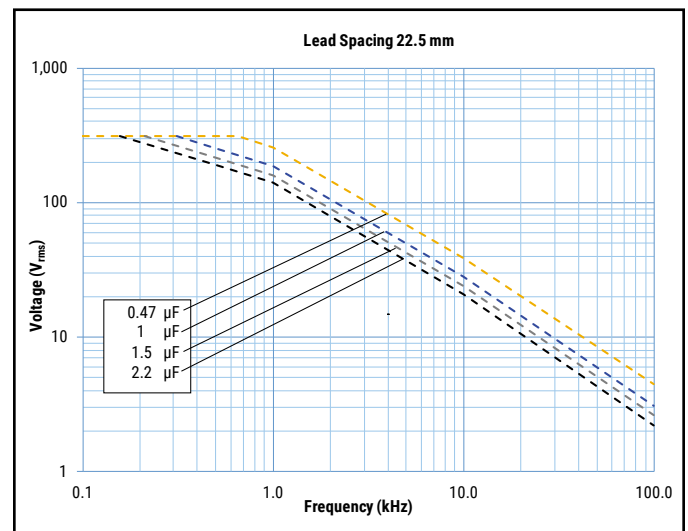
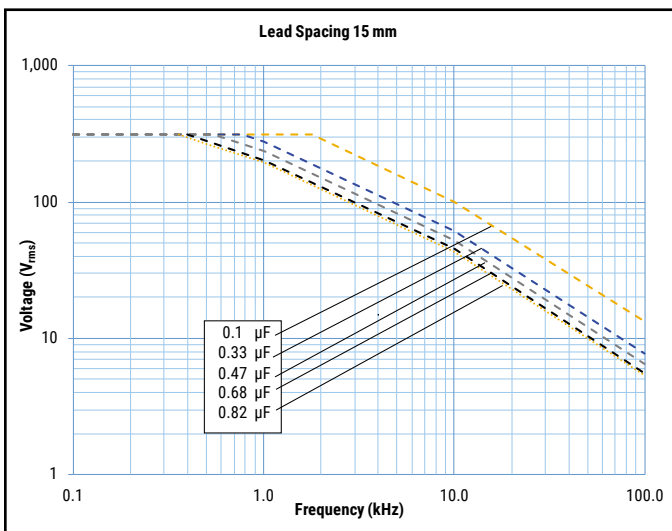
## Qualification

Automotive Grade products meet or exceed the requirements outlined by the Automotive Electronics Council. Details regarding test methods and conditions are referenced in document AEC-Q200, Stress Test Qualification for Passive Components. For additional information regarding the Automotive Electronics Council and AEC-Q200, please visit the website at [www.aecouncil.com](http://www.aecouncil.com).

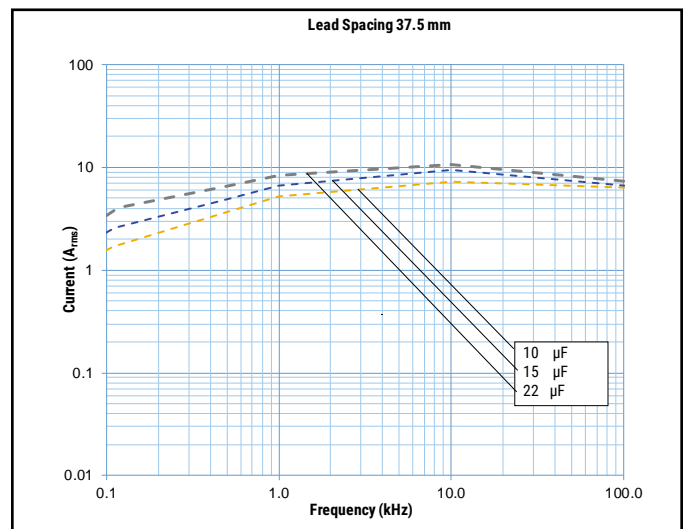
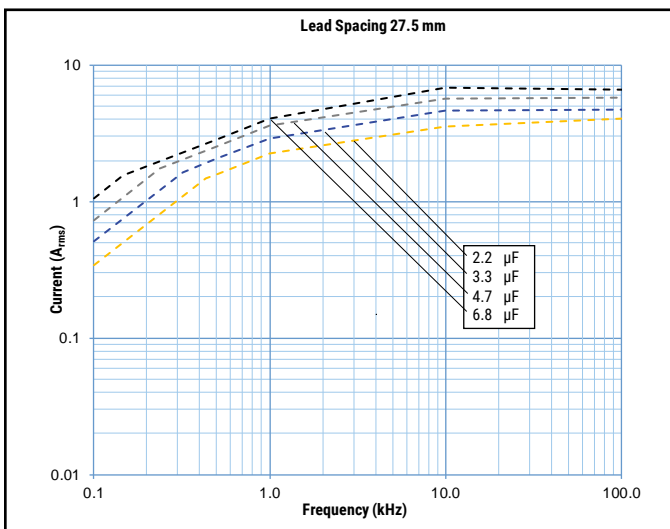
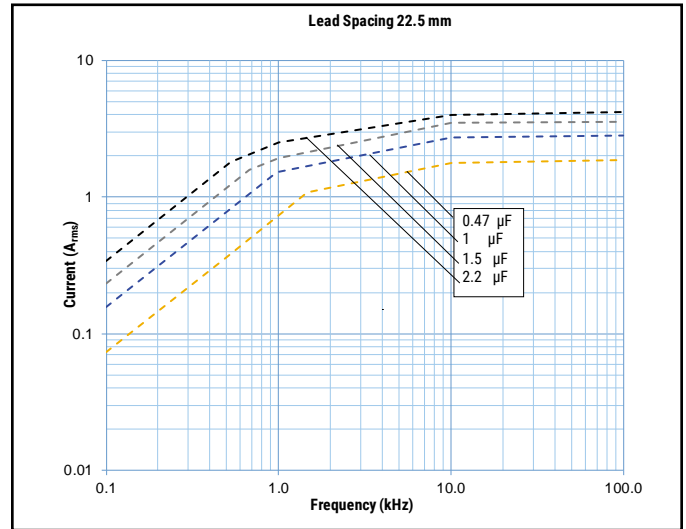
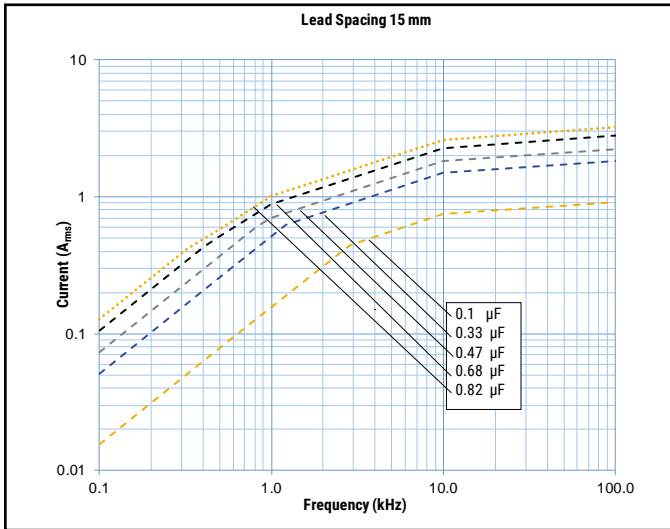
## Impedance Graph



## Maximum Voltage ( $V_{rms}$ ) Versus Frequency (Sinusoidal Waveform/ $Th \leq 80^\circ C$ )






## Maximum Current ( $I_{rms}$ ) Versus Frequency (Sinusoidal Waveform/ $Th \leq 80^\circ C$ )



## Environmental Test Data

| Test                 | IEC Publication                                 | Procedure   |
|----------------------|---|---|
| Endurance            | IEC 60384-14                                    | 1.25 x V <sub>R</sub> VAC 50 Hz, once every hour increase to 1,000 VAC for 0.1 second, 1,000 hours at upper rated temperature   |
| Endurance            | IEC 60384-14                                    | 1.25 x 630 VDC, 1,000 hours at upper rated temperature  |
| Vibration            | MIL-STD-202 Method 204                          | 5 G for 20 minutes, 12 cycles each of 3 orientations. Use 8" X 5" PCB, 0.031" thick. 7 secure points on one 8" side and 2 secure points at corners of opposite sides. Parts mounted within 2" from any secure point. Test from 10 – 2,000 Hz.   |
| Mechanical Shock     | MIL-STD-202 Method 213                          | Figure 1 of Method 213. Condition C   |
| Temperature Cycling  | JESD22-Method JA-104                            | 1,000 cycles (-40°C to 110°C) Note: Measurement at 24 ±4 hours after test conclusion. 30 minute maximum dwell time at each temperature extreme. 1 minute maximum transition time.   |
| Active Flammability  | IEC 60384-14                                    | V <sub>R</sub> + 20 surge pulses at 2.5 kV (pulse every 5 seconds)  |
| Passive Flammability | IEC 60384-14                                    | IEC 60384-1, IEC 60695-11-5 Needle flame test   |
| Biased Humidity      | According to Grade IIIB (Certification pending) | 85°C/85% RH and 310 VAC, 1,000 hours<br>Capacitance change ( $\Delta C/C$ ): $\leq 10\%$<br>Dissipation factor change ( $\Delta \tan \delta$ ): $\leq 24 * 10^{-3}$ (at 10 kHz) for C $\leq 1 \mu F$<br>Dissipation factor change ( $\Delta \tan \delta$ ): $\leq 15 * 10^{-3}$ (at 1 kHz) for C $> 1 \mu F$<br>Insulation resistance Rins or time constant $\tau = CR$<br>Rins: $\geq 50\%$ of initial limit |
|                      | According to Grade IIIB (Certification pending) | 85°C/85% RH and 560 VDC, 1,000 hours<br>Capacitance change ( $\Delta C/C$ ): $\leq 10\%$<br>Dissipation factor change ( $\Delta \tan \delta$ ): $\leq 24 * 10^{-3}$ (at 10 kHz) for C $\leq 1 \mu F$<br>Dissipation factor change ( $\Delta \tan \delta$ ): $\leq 15 * 10^{-3}$ (at 1 kHz) for C $> 1 \mu F$<br>Insulation resistance Rins or time constant $\tau = CR$<br>Rins: $\geq 50\%$ of initial limit |

## Approvals

| Certification Body | Mark  | Specification                                     | File Number  |
|--------------------|---|---|--|
| IMQ S-p.A.         |  | EN/IEC 60384-14                                   | CA08.00232   |
| UL                 |  | UL 60384-14 and<br>CAN/CSA E60384-14<br>(310 VAC) | E97797   |
| CQC                |  | IEC 60384-14                                      | CQC20001267604<br>CQC20001267618<br>CQC20001267599<br>CQC20001267617<br>CQC20001267606<br>CQC20001267616 |



## Environmental Compliance

All KEMET EMI capacitors are RoHS compliant.



**Table 1 – Ratings & Part Number Reference**

| Capacitance Value (µF) | Dimensions in mm |        |        | Lead Spacing (S) | dV/dt (V/µs) | KEMET Part Number     | Legacy Part Number |
|------------------------|------------------|--------|--------|------------------|--------------|-----------------------|--------------------|
|                        | T                | H      | L      |                  |              |                       |                    |
| 0.10                   | 5.0              | 11.0   | 18.0   | 15.0             | 400          | 533I3100(1)P0(2)      | R533I3100(1)P0(2)  |
| 0.15                   | 6.0              | 12.0   | 18.0   | 15.0             | 400          | 533I3150(1)P0(2)      | R533I3150(1)P0(2)  |
| 0.22                   | 6.0              | 12.0   | 18.0   | 15.0             | 400          | 533I3220(1)P0(2)      | R533I3220(1)P0(2)  |
| 0.33                   | 7.5              | 13.5   | 18.0   | 15.0             | 400          | 533I3330(1)P0(2)      | R533I3330(1)P0(2)  |
| 0.33                   | 9.0              | 12.5   | 18.0   | 15.0             | 400          | 533I3330(1)P1(2)      | R533I3330(1)P1(2)  |
| 0.47                   | 8.5              | 14.5   | 18.0   | 15.0             | 400          | 533I3470(1)P0(2)      | R533I3470(1)P0(2)  |
| 0.47                   | 9.0              | 12.5   | 18.0   | 15.0             | 400          | 533I3470(1)P1M        | R533I3470(1)P1M    |
| 0.47                   | 7.5              | 18.5   | 18.0   | 15.0             | 400          | 533I3470(1)P3(2)      | R533I3470(1)P3(2)  |
| 0.56                   | 10.0             | 16.0   | 18.0   | 15.0             | 400          | 533I3560(1)P0(2)      | R533I3560(1)P0(2)  |
| 0.68                   | 10.0             | 16.0   | 18.0   | 15.0             | 400          | 533I3680(1)P1M        | R533I3680(1)P1M    |
| 0.68                   | 11.0             | 19.0   | 18.0   | 15.0             | 400          | 533I3680(1)P0(2)      | R533I3680(1)P0(2)  |
| 0.82                   | 11.0             | 19.0   | 18.0   | 15.0             | 400          | 533I3820(1)P0M        | R533I3820(1)P0M    |
| 0.47                   | 7.0              | 16.0   | 26.5   | 22.5             | 200          | 533N3470(1)P0(2)      | R533N3470(1)P0(2)  |
| 0.56                   | 7.0              | 16.0   | 26.5   | 22.5             | 200          | 533N3560(1)P0(2)      | R533N3560(1)P0(2)  |
| 0.68                   | 7.0              | 16.0   | 26.5   | 22.5             | 200          | 533N3680(1)P0(2)      | R533N3680(1)P0(2)  |
| 0.82                   | 8.5              | 17.0   | 26.5   | 22.5             | 200          | 533N3820(1)P0(2)      | R533N3820(1)P0(2)  |
| 1.0                    | 8.5              | 17.0   | 26.5   | 22.5             | 200          | 533N4100(1)P1M        | R533N4100(1)P1M    |
| 1.0                    | 10.0             | 18.5   | 26.5   | 22.5             | 200          | 533N4100(1)P0(2)      | R533N4100(1)P0(2)  |
| 1.2                    | 10.0             | 18.5   | 26.5   | 22.5             | 200          | 533N4120(1)P0(2)      | R533N4120(1)P0(2)  |
| 1.5                    | 10.0             | 18.5   | 26.5   | 22.5             | 200          | 533N4150(1)P1M        | R533N4150(1)P1M    |
| 1.5                    | 11.0             | 20.0   | 26.5   | 22.5             | 200          | 533N4150(1)P0(2)      | R533N4150(1)P0(2)  |
| 1.8                    | 11.0             | 20.0   | 26.5   | 22.5             | 200          | 533N4180(1)P1M        | R533N4180(1)P1M    |
| 1.8                    | 13.0             | 22.0   | 26.5   | 22.5             | 200          | 533N4180(1)P0(2)      | R533N4180(1)P0(2)  |
| 2.2                    | 13.0             | 22.0   | 26.5   | 22.5             | 200          | 533N4220(1)P0M        | R533N4220(1)P0M    |
| 1.5                    | 11.0             | 20.0   | 32.0   | 27.5             | 150          | 533R4150(1)P0(2)      | R533R4150(1)P0(2)  |
| 1.8                    | 11.0             | 20.0   | 32.0   | 27.5             | 150          | 533R4180(1)P0(2)      | R533R4180(1)P0(2)  |
| 2.2                    | 13.0             | 22.0   | 32.0   | 27.5             | 150          | 533R4220(1)P0(2)      | R533R4220(1)P0(2)  |
| 2.7                    | 14.0             | 28.0   | 32.0   | 27.5             | 150          | 533R4270(1)P0(2)      | R533R4270(1)P0(2)  |
| 3.3                    | 14.0             | 28.0   | 32.0   | 27.5             | 150          | 533R4330(1)P0(2)      | R533R4330(1)P0(2)  |
| 3.9                    | 14.0             | 28.0   | 32.0   | 27.5             | 150          | 533R4390(1)P0(2)      | R533R4390(1)P0(2)  |
| 4.7                    | 14.0             | 28.0   | 32.0   | 27.5             | 150          | 533R4470(1)P1M        | R533R4470(1)P1M    |
| 4.7                    | 16.0             | 30.0   | 32.0   | 27.5             | 150          | 533R4470(1)P2(2)      | R533R4470(1)P2(2)  |
| 5.6                    | 16.0             | 30.0   | 32.0   | 27.5             | 150          | 533R4560(1)P0M        | R533R4560(1)P0M    |
| 6.8                    | 22.0             | 37.0   | 32.0   | 27.5             | 150          | 533R4680(1)P0(2)      | R533R4680(1)P0(2)  |
| 8.2                    | 22.0             | 37.0   | 32.0   | 27.5             | 150          | 533R4820(1)P0(2)      | R533R4820(1)P0(2)  |
| 10.0                   | 20.0             | 40.0   | 42.0   | 37.5             | 100          | 533W5100(1)P0(2)      | R533W5100(1)P0(2)  |
| 12.0                   | 24.0             | 44.0   | 42.0   | 37.5             | 100          | 533W5120(1)P0(2)      | R533W5120(1)P0(2)  |
| 15.0                   | 24.0             | 44.0   | 42.0   | 37.5             | 100          | 533W5150(1)P0(2)      | R533W5150(1)P0(2)  |
| 18.0                   | 30.0             | 45.0   | 42.0   | 37.5             | 100          | 533W5180(1)P0(2)      | R533W5180(1)P0(2)  |
| 20.0                   | 30.0             | 45.0   | 42.0   | 37.5             | 100          | 533W5200(1)P0(2)      | R533W5200(1)P0(2)  |
| 22.0                   | 30.0             | 45.0   | 42.0   | 37.5             | 100          | 533W5220(1)P0(2)      | R533W5220(1)P0(2)  |
| Capacitance Value (µF) | B (mm)           | H (mm) | L (mm) | Lead Spacing (p) | dV/dt (V/µs) | New KEMET Part Number | Legacy Part Number |

(1) Insert lead and packaging code. See Ordering Options Table for available options.

(2) M = ±20%, K = ±10%

## Soldering Process

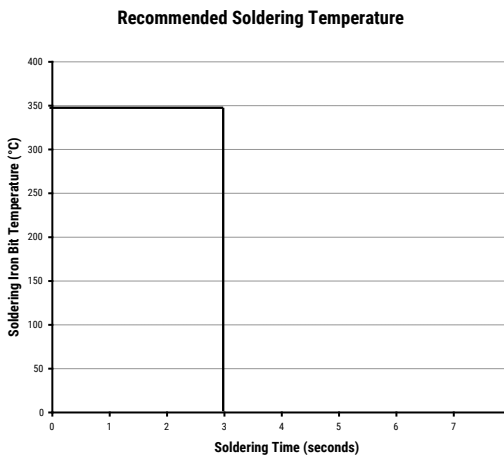
The implementation of the RoHS directive has resulted in the selection of SnAuCu (SAC) alloys or SnCu alloys as primary solder material. This has increased the liquidus temperature from 183°C for SnPb eutectic alloys to 217 – 221°C for the new alloys. As a result, the heat stress to the components, even in wave soldering, has increased considerably due to higher pre-heat and wave temperatures. Polypropylene capacitors are especially sensitive to heat (the melting point of polypropylene is 160 – 170°C). Wave soldering can be destructive, especially for mechanically small polypropylene capacitors (with lead spacing of 5 – 15 mm). Great care must be taken during soldering. The recommended solder profiles from KEMET should be used. Consult KEMET with any questions. In general, the wave soldering curve from IEC Publication 61760-1 Edition 2 serves as a solid guideline for successful soldering. See Figure 1.

Reflow soldering is not recommended for through-hole film capacitors. Exposing capacitors to a soldering profile in excess of the above-recommended limits may result to degradation of or permanent damage to the capacitors.

Do not place the polypropylene capacitor through an adhesive curing oven to cure resin for surface mount components. Insert through-hole parts after curing surface mount parts. Consult KEMET to discuss the actual temperature profile in the oven, if through-hole components must pass through the adhesive curing process. A maximum two soldering cycles is recommended. Allow time for the capacitor surface temperature to return to normal temperature before performing the second soldering cycle.

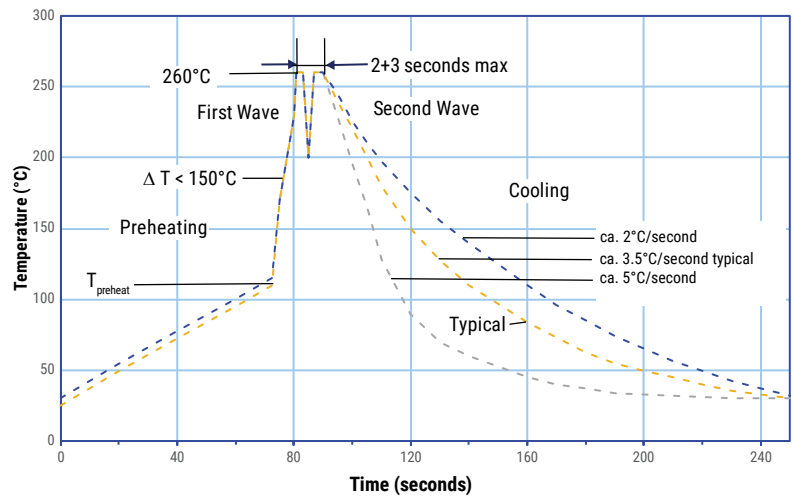
### Manual Soldering Recommendations

Following is the recommendation for manual soldering with a soldering iron.



The soldering iron tip temperature should be set at 350°C (+10°C maximum), with the soldering duration not to exceed more than 3 seconds.

### Wave Soldering Recommendations



## Soldering Process cont.

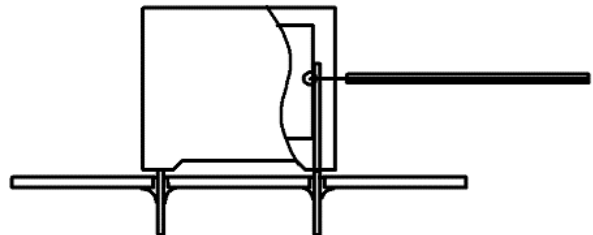
### Wave Soldering Recommendations cont.

1. The table indicates the maximum set-up temperature of the soldering process.

| Dielectric Film Material | Maximum Preheat Temperature  |                           | Maximum Peak Soldering Temperature |                           |
|--------------------------|------------------------------|---------------------------|------------------------------------|---------------------------|
|                          | Capacitor Pitch $\geq 10$ mm | Capacitor Pitch $> 15$ mm | Capacitor Pitch $\leq 15$ mm       | Capacitor Pitch $> 15$ mm |
| Polyester                | 130°C                        | 130°C                     | 270°C                              | 270°C                     |
| Polypropylene            | 110°C                        | 130°C                     | 260°C                              | 270°C                     |
| Paper                    | 130°C                        | 140°C                     | 270°C                              | 270°C                     |
| Polyphenylene Sulphide   | 150°C                        | 160°C                     | 270°C                              | 270°C                     |

2. The maximum temperature measured inside the capacitor: set the temperature so that the maximum temperature inside the element is below the limit.

| Dielectric Film Material | Maximum Temperature Measured Inside the Element |
|--------------------------|---|
| Polyester                | 160°C   |
| Polypropylene            | 110°C   |
| Paper                    | 160°C   |
| Polyphenylene Sulphide   | 160°C   |



*Temperature monitored inside the capacitor.*

### Selective Soldering Recommendations

Selective dip soldering is a variation of reflow soldering. In this method, the printed circuit board with through-hole components to be soldered is preheated and transported over the solder bath as it is in normal flow soldering, without touching the solder. When the board is over the bath, it is stopped. Pre-designed solder pots are lifted from the bath with molten solder, only at the places of the selected components, and pressed against the lower surface of the board to solder the components.

The temperature profile for selective soldering is similar to the double wave flow soldering outlined in this document.

**However, instead of two baths, there is only one with a time from 3 – 10 seconds.** In selective soldering, the risk of overheating is greater than in double wave flow soldering, and great care must be taken so that the parts do not overheat.

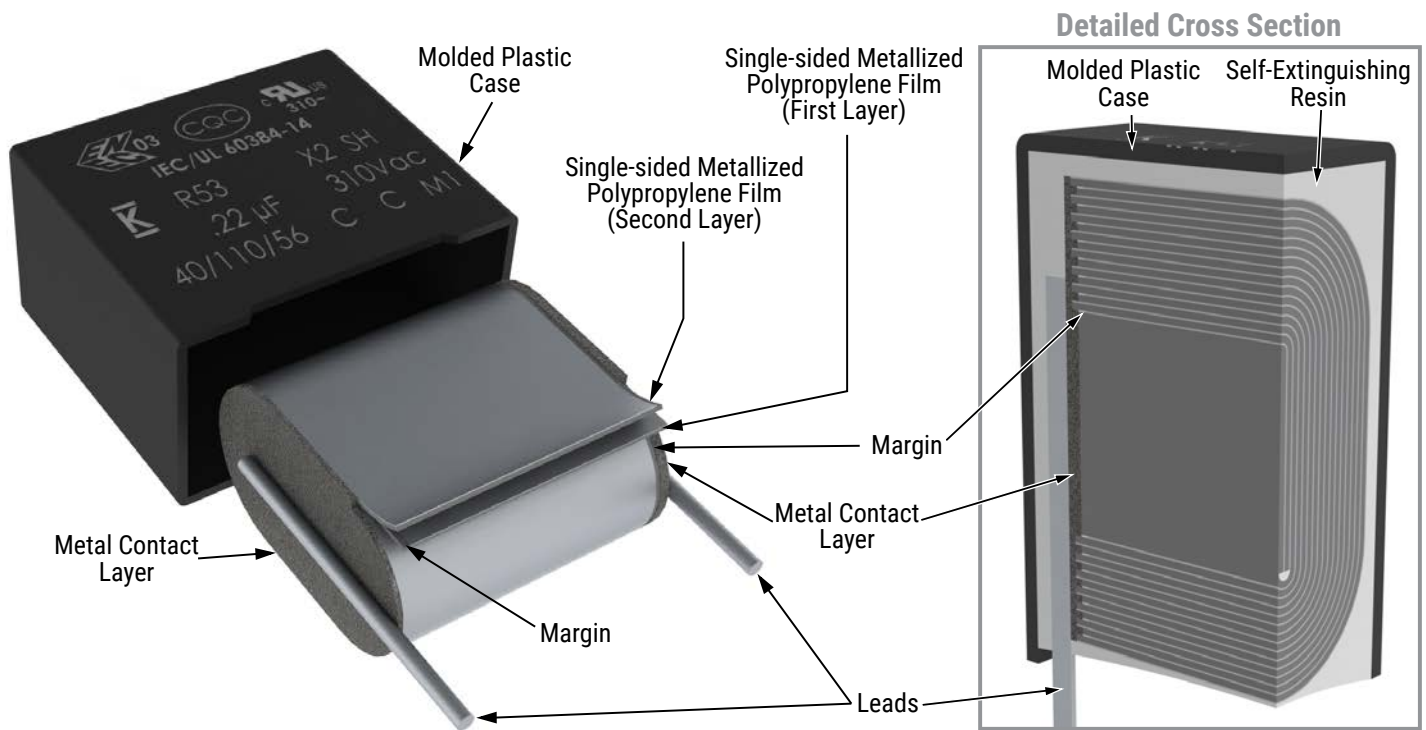
## Mounting

### Resistance to Vibration and Mechanical Shock

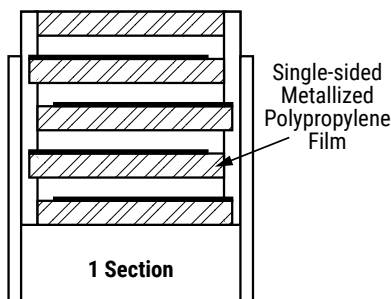
| AEC-Q200 Mechanical Stress Tests: |                        |  |
|-----------------------------------|------------------------|--|
| Mechanical Shock                  | MIL-STD-202 Method 213 | Test condition C<br>Peak value 100 g, duration 6 ms, half-sine-wave (see MIL-HDBK for details)   |
| Vibration                         | MIL-STD-202 Method 204 | 5 G for 20 minutes, 12 cycles each of 3 orientations<br>Use 8"X5" PCB, 0.031" thick. 7 secure points on one 8" side and 2 secure points at corners of opposite sides. Parts mounted within 2" from any secure point.<br>Test from 10 – 2,000 Hz. |

The capacitors are designed for PCB mounting.  
 The stand-off pipes must be in good contact with the printed circuit board.  
 The capacitor body has to be properly fixed (e.g. clamped or glued).

## Construction

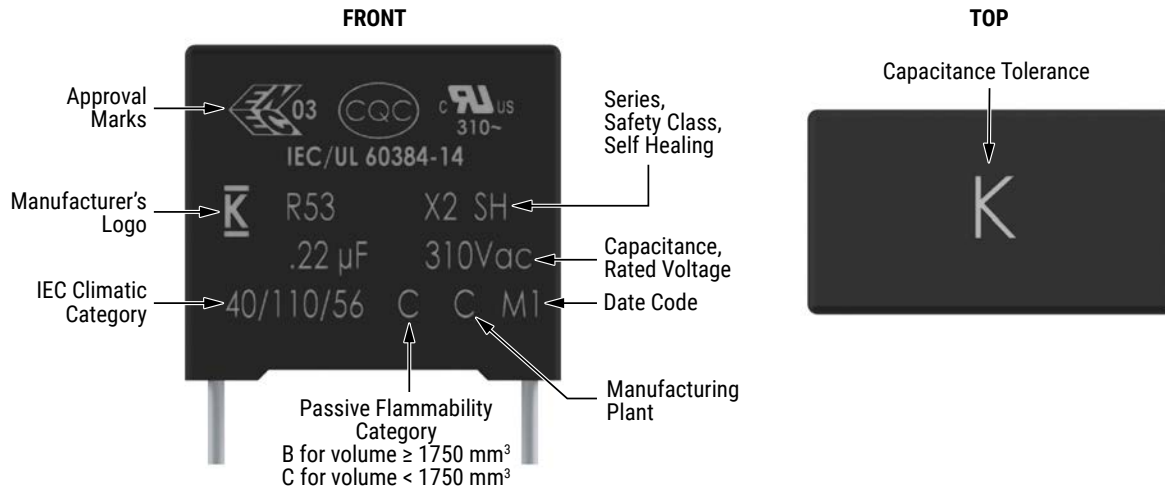


### Winding Scheme

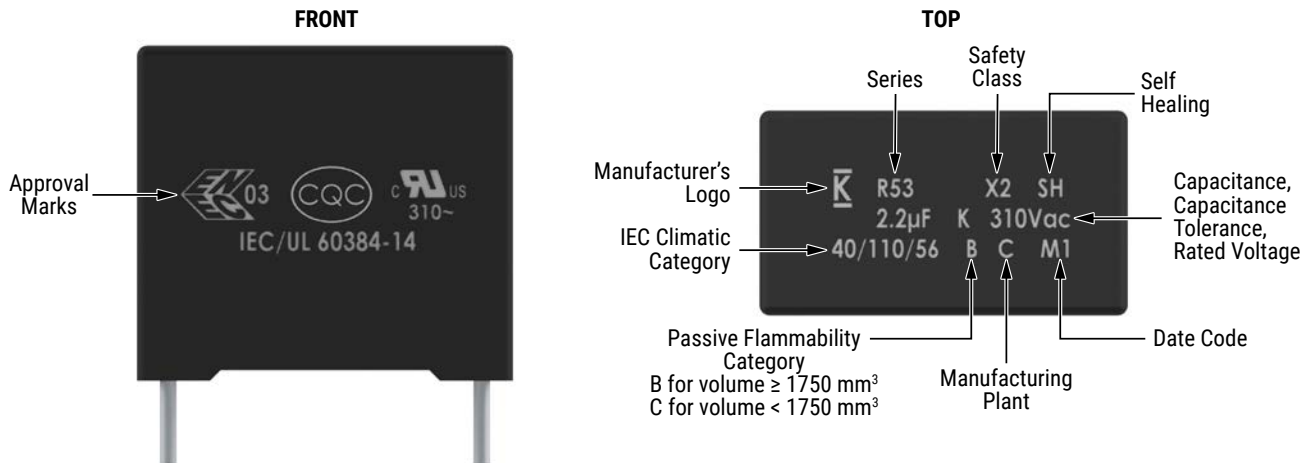


## Marking

Lead Spacing 15 mm, 22.5 mm, and 27.5 mm



Lead Spacing 27.5 mm (alternatives\*) and 37.5 mm



\*Differences are caused by technology (clichee, laser, or ink) and production line.

### Manufacturing Date Code (IEC-60062)

| Year | Code | Year | Code | Month    | Code | Month     | Code |
|------|------|------|------|----------|------|-----------|------|
| 2010 | A    | 2020 | M    | January  | 1    | July      | 7    |
| 2011 | B    | 2021 | N    | February | 2    | August    | 8    |
| 2012 | C    | 2022 | P    | March    | 3    | September | 9    |
| 2013 | D    | 2023 | R    | April    | 4    | October   | 0    |
| 2014 | E    | 2024 | S    | May      | 5    | November  | N    |
| 2015 | F    | 2025 | T    | June     | 6    | December  | D    |
| 2016 | H    | 2026 | U    |          |      |           |      |
| 2017 | J    | 2027 | V    |          |      |           |      |
| 2018 | K    | 2028 | W    |          |      |           |      |
| 2019 | L    | 2029 | X    |          |      |           |      |

## Packaging Quantities

| Lead Spacing (mm)        | Thickness (mm) | Height (mm) | Length (mm) | Bulk Short Leads        | Bulk Long Leads |         | Standard Reel<br>ø 355 mm | Large Reel<br>ø 500 mm | Ammo Taped | Pizza |
|--------------------------|----------------|-------------|-------------|-------------------------|-----------------|---------|---------------------------|------------------------|------------|-------|
| Lead and Packaging Code: |                |             |             | 00 - JA - JB<br>JE - JH | JM              | 40 - 50 | GY                        | CK                     | DQ         | BB    |
| <b>15</b>                | 5              | 11          | 18          | 2,000                   | 1,250           | 1,000   | 600                       | 1,250                  | 800        | 1,122 |
|                          | 6              | 12          | 18          | 1,750                   | 1,000           | 900     | 500                       | 1,000                  | 680        | 935   |
|                          | 7.5            | 13.5        | 18          | 1,000                   | 800             | 700     | 350                       | 800                    | 500        | 748   |
|                          | 7.5            | 18.5        | 18          | 900                     | 650             | 500     | -                         | 800                    | 500        | 748   |
|                          | 8.5            | 14.5        | 18          | 1,000                   | 650             | 500     | 300                       | 700                    | 440        | 663   |
|                          | 9              | 12.5        | 18          | 1,000                   | 700             | 520     | 270                       | 650                    | 410        | 612   |
|                          | 10             | 16          | 18          | 750                     | 550             | 500     | 270                       | 600                    | 380        | 561   |
|                          | 11             | 19          | 18          | 450                     | 400             | 350     | -                         | 500                    | 340        | 510   |
| <b>22.5</b>              | 7              | 16          | 26.5        | 700                     | 450             | 500     | -                         | 550                    | 380        | 564   |
|                          | 8.5            | 17          | 26.5        | 468                     | 350             | 300     | -                         | 450                    | 280        | 468   |
|                          | 10             | 18.5        | 26.5        | 396                     | 350             | 300     | -                         | 350                    | 235        | 396   |
|                          | 11             | 20          | 26.5        | 360                     | 200             | 250     | -                         | 350                    | 217        | 360   |
|                          | 13             | 22          | 26.5        | 300                     | 150             | 200     | -                         | 300                    | -          | 300   |
| <b>27.5</b>              | 11             | 20          | 32          | 560                     | 336             | 336     | -                         | 350                    | -          | 300   |
|                          | 13             | 22          | 32          | 480                     | 288             | 288     | -                         | 300                    | -          | 250   |
|                          | 14             | 28          | 32          | 352                     | 176             | 176     | -                         | -                      | -          | 230   |
|                          | 16             | 30          | 32          | 288                     | 144             | 144     | -                         | -                      | -          | 200   |
|                          | 22             | 37          | 32          | 168                     | 112             | 112     | -                         | -                      | -          | 150   |
| <b>37.5</b>              | 20             | 40          | 42          | -                       | -               | -       | -                         | -                      | -          | 58    |
|                          | 24             | 44          | 42          | -                       | -               | -       | -                         | -                      | -          | 44    |
|                          | 30             | 45          | 42          | -                       | -               | -       | -                         | -                      | -          | 36    |

## Lead Taping & Packaging (IEC 60286-2)

Figure 1 – Lead Spacing 15 mm

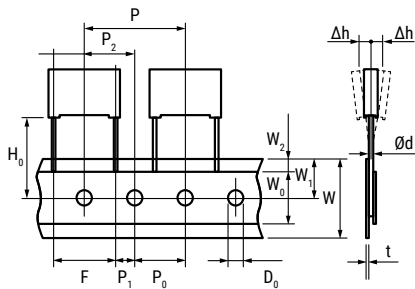
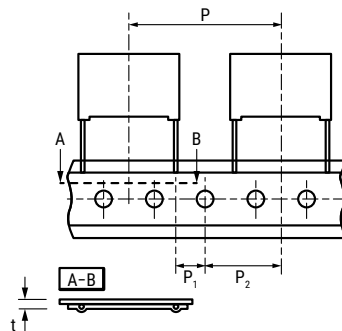


Figure 2 – Lead Spacing 22.5 & 27.5 mm



## Taping Specification

| Description                          | Symbol              | Dimensions (mm) |       |       |           |
|--------------------------------------|---------------------|-----------------|-------|-------|-----------|
|                                      |                     | Lead Space      |       |       | Tolerance |
|                                      |                     | 15.0            | 22.5  | 27.5  |           |
| Lead wire diameter                   | d                   | 0.6 – 0.8       | 0.8   | 0.8   | ±0.05     |
| Taping lead space                    | P                   | 25.4            | 38.1  | 38.1  | ±1        |
| Feed hole lead space *               | P <sub>0</sub>      | 12.7            | 12.7  | 12.7  | ±0.2 **   |
| Centering of the lead wire           | P <sub>1</sub>      | 5.2             | 7.8   | 5.3   | ±0.7      |
| Centering of the body                | P <sub>2</sub>      | 12.7            | 19.05 | 19.05 | ±1.3      |
| Lead spacing ***                     | F                   | 15.0            | 22.5  | 27.5  | +0.6/-0.1 |
| Component alignment                  | Δh                  | 0               | 0     | 0     | ±2        |
| Component deviation                  | Δp                  | 0               | 0     | 0     | ±1        |
| Height of component from tape center | H <sub>0</sub> **** | 18.5            | 18.5  | 18.5  | ±0.5      |
| Carrier tape width                   | W                   | 18              | 18    | 18    | +1/-0.5   |
| Hold down tape width                 | W <sub>0</sub>      | 10              | 10    | 10    | Minimum   |
| Hole position                        | W <sub>1</sub>      | 9               | 9     | 9     | ±0.5      |
| Hold down tape position              | W <sub>2</sub>      | 3               | 3     | 3     | Maximum   |
| Feed hole diameter                   | D <sub>0</sub>      | 4               | 4     | 4     | ±0.2      |
| Total Tape thickness                 | t                   | 0.7             | 0.7   | 0.7   | ±0.2      |

\* Available also 15 mm.

\*\* Maximum 1 mm on 20 lead spacing.

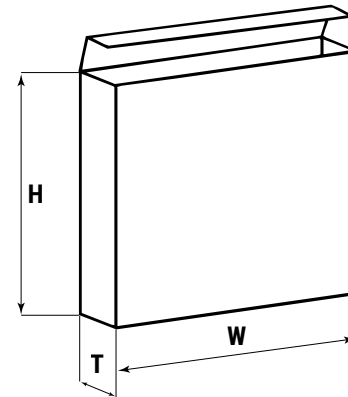
\*\*\* 15 mm and 10 mm taped to 7.5 mm (crimped leads) available upon request.

\*\*\*\* H<sub>0</sub> = 16.5 mm is available upon request.

## Lead Taping & Packaging (IEC 60286-2) cont.

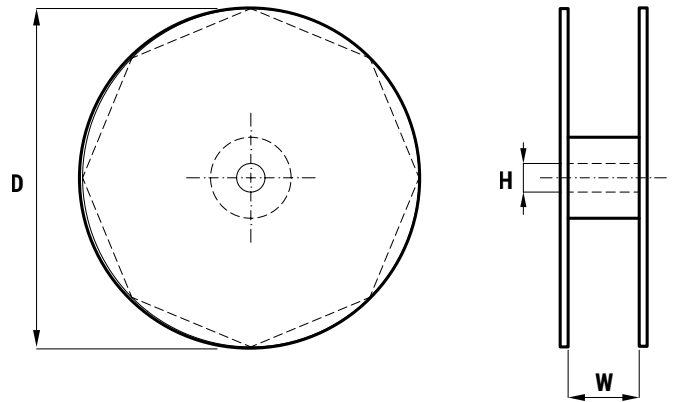
### Ammo Specifications

| Dimensions (mm) |     |    |
|-----------------|-----|----|
| H               | W   | T  |
| 360             | 340 | 59 |



### Reel Specifications

| Reel Size | Dimensions (mm) |    |            |
|-----------|-----------------|----|------------|
|           | D               | H  | W          |
| Standard  | 355             | 30 | 55 Maximum |
| Large     | 500             | 25 |            |





## KEMET Electronics Corporation Sales Offices

For a complete list of our global sales offices, please visit [www.kemet.com/sales](http://www.kemet.com/sales).

---

### Disclaimer

All product specifications, statements, information and data (collectively, the "Information") in this datasheet are subject to change. The customer is responsible for checking and verifying the extent to which the Information contained in this publication is applicable to an order at the time the order is placed. All Information given herein is believed to be accurate and reliable, but it is presented without guarantee, warranty, or responsibility of any kind, expressed or implied.

Statements of suitability for certain applications are based on KEMET Electronics Corporation's ("KEMET") knowledge of typical operating conditions for such applications, but are not intended to constitute – and KEMET specifically disclaims – any warranty concerning suitability for a specific customer application or use. The Information is intended for use only by customers who have the requisite experience and capability to determine the correct products for their application. Any technical advice inferred from this Information or otherwise provided by KEMET with reference to the use of KEMET's products is given gratis, and KEMET assumes no obligation or liability for the advice given or results obtained.

Although KEMET designs and manufactures its products to the most stringent quality and safety standards, given the current state of the art, isolated component failures may still occur. Accordingly, customer applications which require a high degree of reliability or safety should employ suitable designs or other safeguards (such as installation of protective circuitry or redundancies) in order to ensure that the failure of an electrical component does not result in a risk of personal injury or property damage.

Although all product-related warnings, cautions and notes must be observed, the customer should not assume that all safety measures are indicated or that other measures may not be required.

*KEMET is a registered trademark of KEMET Electronics Corporation.*